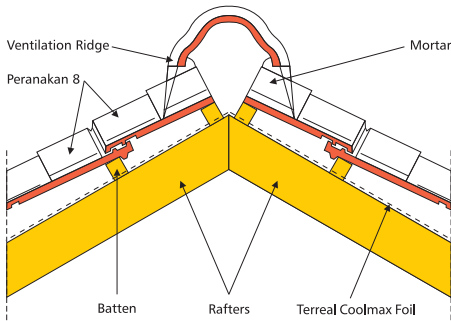


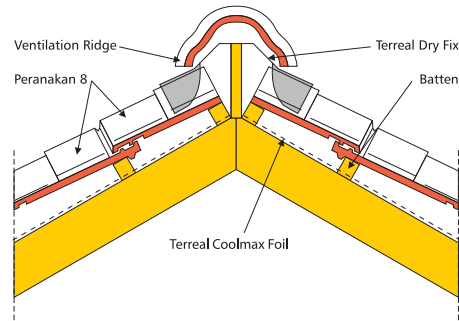


Peranakan 8 Installation Guide

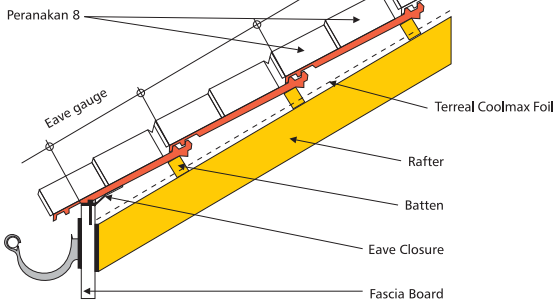
BEDDED RIDGE



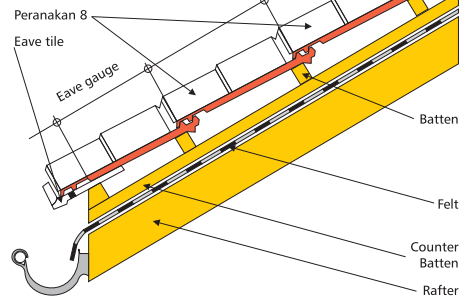
DRY RIDGE



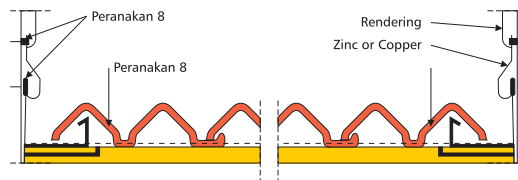
STANDARD EAVE



EAVE + SPOUT



ABUTMENT



V-VERGE

